



Premier Walk-In Coolers & Freezers

*A guide to design specifications,
options & refrigeration equipment.*

Updated for  **A2L**



Proven Dependable

1-800-24BALLY



INDEX

Sectional Walk-In Coolers & Freezers

| | |
|------------------------------------|---|
| Design Specifications _____ | 2 |
| Standard Exterior Dimensions _____ | 2 |
| The Bally Speed-Lok _____ | 2 |
| Bally Door Section _____ | 3 |
| Door Options & Accessories _____ | 4 |
| Options & Accessories _____ | 5 |

Refrigeration Equipment

Evaporators

| | |
|---|---|
| BLP-Line, Low Profile Evaporators _____ | 6 |
| BTL-Line, Center-Mount Two Way Evaporators _____ | 8 |
| SmartVap+ with Demand Defrost, Evaporator Control _____ | 8 |

Condensing Units

| | |
|---|----|
| BEZ-Line, Indoor/Outdoor Air-Cooled Scroll Condensing Units _____ | 9 |
| BEH-Line, Indoor/Outdoor Air-Cooled Hermetic Condensing Units _____ | 10 |
| BES-Line, Outdoor Air-Cooled Semi-Hermetic Condensing Units _____ | 11 |
| BQZ "Quiet" Line, Outdoor Air-Cooled Scroll Condensing Units _____ | 12 |

Packaged Refrigeration Units

| | |
|--|----|
| PRO3 Packaged Refrigeration System _____ | 14 |
| BC-Line and BF-Line _____ | 15 |

DESIGN SPECIFICATIONS

PANEL CONSTRUCTION: Panels shall consist of foamed-in-place urethane insulation, sandwiched between interior and exterior metal skins. Edges of panels shall be tongue and groove, with Speed-Lok fastening devices foamed-in-place at the time of fabrication. Insulation shall be of non-ozone depleting urethane, U.L. Class I system, with a flame spread rating of 25 or less, with a Factory Mutual panel assembly rating. A PVC gasket located on the tongue side of panels forms an air tight seal.

PANEL SIZES: Panels are available in 4", 5" and 6" thicknesses. Vertical panel sizes are 12" x 12" corners, 11½", 17¼", 23", 34½" and 46" widths. Ceiling and floor panels are available in 23½" end panels, 11½", 17¼", 28¾", 34½", 40¼" and 46" widths. Panel heights are 5'10" thru 10'10"; 11'4" thru 19'4"; and 19'8" thru 27'8" in one foot increments. The maximum length for ceiling panels is 13'6" for multi-span and 17'4" for indoor single span ceilings.

PANEL FINISHES: Stucco-embossed Galvalume™ steel, Stainless steel, Stucco-embossed stainless steel, Stucco-embossed aluminum, Smooth white aluminum, Smooth white galvanized steel, Stucco-embossed white galvanized steel, Stucco-embossed sand-tan galvanized steel. **FLOOR FINISHES:** Rigidized Aluminum diamond tread, Aluminum diamond tread, Rigidized stainless steel diamond tread, Smooth Aluminum, Smooth Stainless, Galvanized steel (if floor is to be covered with tile or concrete).

FLOOR CONSTRUCTION: Standard floors support 800 pounds per square foot of evenly distributed stationary loads. Floor construction options include 4" insulated floor panels on slab, floor panels recessed (with or without tile), built-in insulated floor (with or without floor screeds). Reinforced floor panels designed for cart or pallet truck usage are available.

Standard Exterior Dimensions

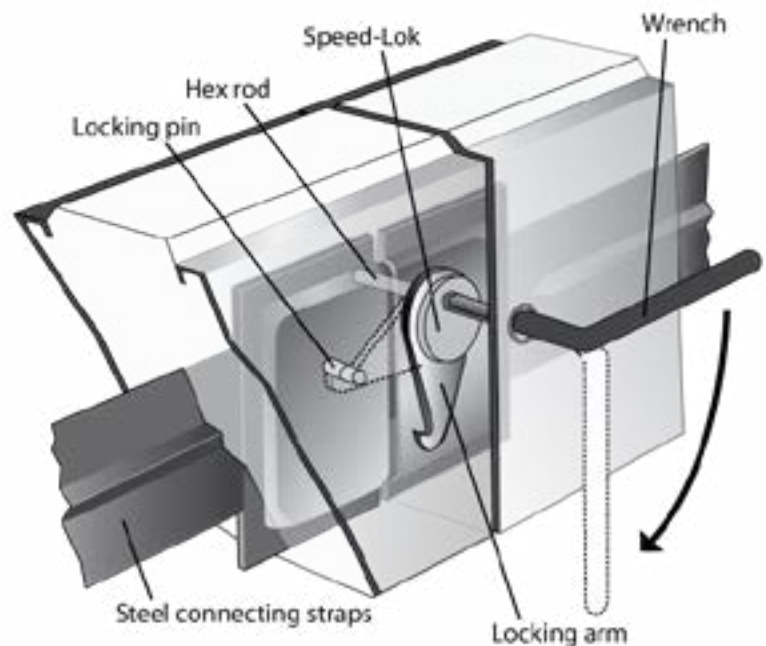
| Nominal | Actual | Nominal | Actual | Nominal | Actual | Nominal | Actual | Nominal | Actual | Nominal | Actual |
|---------|-----------|---------|------------|---------|------------|---------|-----------|---------|------------|---------|-----------|
| 6' | 5'10" | 11' | 10'7 1/2" | 16' | 15'5" | 21' | 20'2 1/2" | 25'5" | 24'6 1/4" | 30'5" | 29'3 3/4" |
| 6'5" | 6'3 3/4" | 11'5" | 11'1 1/4" | 16'5" | 15'10 3/4" | 21'5" | 20'8 1/4" | 26' | 25'0" | 31' | 29'9 1/2" |
| 7' | 6'9 1/2" | 12' | 11'7" | 17' | 16'4 1/2" | 22' | 21'2" | 26'5" | 25'5 3/4" | 31'5" | 30'3 1/4" |
| 7'5" | 7'3 1/4" | 12'5" | 12'3/4" | 17'5" | 16'10 1/4" | 22'5" | 21'7 3/4" | 27' | 25'11 1/2" | 32' | 30'9" |
| 8' | 7'9" | 13' | 12'6 1/2" | 18' | 17'4" | 23' | 22'7 1/2" | 27'5" | 26'5 1/4" | 32'5" | 31'2 3/4" |
| 8'5" | 8'2 3/4" | 14' | 13'6" | 18'5" | 17'10 1/4" | 23'5" | 22'7 1/4" | 28' | 26'11" | 33' | 31'8 1/2" |
| 9' | 8'8 1/2" | 14'5" | 13'11 3/4" | 19' | 18'3 1/2" | 24' | 23'1" | 28'5" | 27'4 3/4" | 33'5" | 32'2 1/4" |
| 9'5" | 9'2 1/4" | 15' | 14'5 1/2" | 19'5" | 18'9 1/4" | 24'5" | 23'6 3/4" | 29' | 27'10 1/2" | 34' | 32'8" |
| 10' | 9'8" | 15'5" | 14'11 1/4" | 20' | 19'3" | 25' | 24'1/2" | 29'5" | 28'4 1/4" | 34'5" | 33'1 3/4" |
| 10'5" | 10'1 3/4" | | | 20'5" | 19'8 3/4" | | | 30' | 28'10" | | |

DIAPHRAGMATIC JOINING SYSTEM

The heart of a rugged, versatile Walk-In is its joining system. Bally's diaphragmatic system, based on our patented Speed-Lok is proven dependable.

A steel strap is attached to the pocket and foamed into the panel, forming a lock-to-lock connection for strength. Steel straps are standard on all 23", 34" & 46" panel sections in width.

The Bally Speed-Lok, is operated by a hex wrench and consists of only two simple assemblies. First, the Locking pin. This steel hex rod is positioned so the locking arm engages it tightly. Second, the Locking arm is cam-mounted with a hooked end. When the hex wrench turns the arm, the eccentric movement of the cam first enables the hook to engage the pin and draws the panels tightly together.

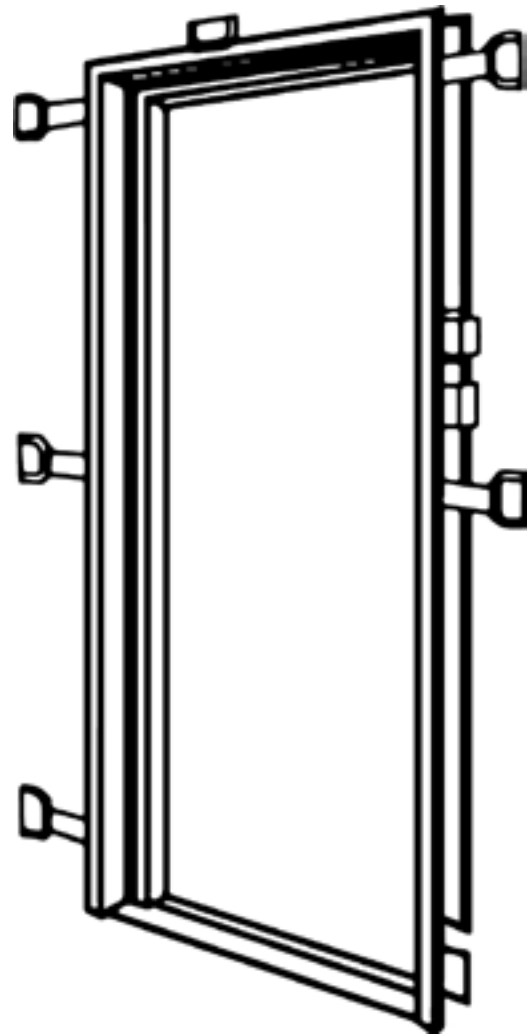


THE BALLY DOOR - *The best in the business*

Bally Walk-Ins can be equipped with a variety of door types and sizes to fill every user's requirements. Hinged doors are available in 24", 30", 34", 36", 42", 48", 54" and 60" widths and 66", 78" and 84" standard heights; with left or right hand swings. (*Swing determined when facing outside*). All doors furnished with:

- Thermostatically controlled heater wires around frame to protect against condensation or frost formation on door edge.
- 2" dial thermometer (*field-mounted on 60" doors*)
- Glow in the dark inside safety release
- Self-closing hinges and door closers on doors up to 42" wide; Strap-hinges on 48", 54" and 60" wide doors; Touch latch with cylinder lock on doors up to 42"; and a positive latch on 48", 54" and 60" doors
- Removable magnetic gaskets
- Vapor-proof screw-in LED light
- Freezer doors furnished with a pressure relief port
- DOE certified for door MEC regulations

Every Bally entrance door has a unitized structural steel frame with thermal breaker, with additional 1/8" thick steel reinforcement plates welded to the frame for hardware support, and hinge and latch supports foamed into the door caps. For heavy-duty support choose the Bally Super door.



Super Door



Adapt-A-Door

SUPER DOORS - 1/8" thick aluminum diamond tread kickplates on the exterior and interior door frame, and a third hinge added for support.

ADAPT-A-DOORS - Replacement hinged doors to retrofit any existing Walk-In cooler or freezer door. Available in widths from 30" to 60" and in heights from 66" to 84". Standard finishes are:

- Stainless steel
- Stucco embossed Galvalume™
- Stucco embossed white galvanized steel
- Stucco embossed aluminum

DOOR OPTIONS AND ACCESSORIES

OBSERVATION WINDOWS -14" x 14" viewports with heated glass are available on doors up to 36" in width. 14"x24" viewport windows are available in larger door caps/panels.

STRIP CURTAINS- Clear thermoplastic strip curtains to be installed behind the door.

STRIP DOORS- A two-piece hinged double-acting PVC curtain installed in the door opening.

ALARMS and THERMOMETERS- 2" & 4" dial thermometers are standard. Digital thermometers, TM166 digital alarm thermometer, Modularm 75LC audio-visual alarms, and Weiss XWA audio-visual alarms.

LOCKING BARS- A two-piece stainless-steel locking bar provides added security.

DEADBOLT LOCK- A deadbolt handle latch using cylinder lock or padlock

ENTRANCE DOOR RAMPS- When you need a Walk-In that can handle wheeling carts and it is impossible to recess the floor, interior or exterior ramps are available.

Interior Ramps- of reinforced stainless steel, cut into the threshold area of the door.

Exterior Ramps- Reinforced aluminum diamond tread ramps secured to a special flanged step-plate mounted on the threshold allows the door to swing freely.

GLASS DISPLAY DOORS- A wide selection of glass display doors is available in hinged or sliding doors. Doors are complete with shelving and lighting.

SLIDING DOORS- These doors are available in both single and bi-parting types. Sizes range from 36" to 120" wide and heights from 78" to 120" both manual and electric.

DOOR CANOPIES- Provided for protection over exterior entrance doors.



14" x 14" Observation Window with 5 watt heater



Deadbolt Lock



Hinged glass display doors

OPTIONS & ACCESSORIES

SHELVING- Bally offers a wide variety of shelving options, including our popular cantilever shelving. Conventional freestanding shelving, both stationary and mobile is available. Finishes include coated wire and stainless-steel.

MEMBRANE ROOFS- Bally's Membrane Roofs (*manufactured by Duro-Last*) provide a long-lasting roof covering to eliminate rain water infiltration into ceiling panels.

WALL PROTECTORS -1½" wide extruded aluminum rails with vinyl inserts, and end caps secured with unexposed fasteners. Aluminum or stainless-steel hat-shaped bumpers provide a larger area of protection from carts.

LIGHT FIXTURES- Energy saving LED light fixtures, in various lengths, are available for field mounting. They are designed for use to -40°F and rated for damp locations. Vapor-proof light fixtures are also available. Energy saving LED fixtures reduce heat inside the refrigerated space, therefor requiring less mechanical heat transfer to remove. This reduces electrical consumption and wear and tear on the refrigeration system.

COMPRESSOR STANDS- Bally Compressor Stands are designed to maximize floor space, improve technician ergonomics, and help reduce the risk of unit damage. Bally Condensing Unit Stands come in two model sizes; the DR-200-4 and the DR-600-4. Both Bally Condensing Unit Stands have two mounting levels and can hold a variety of Condensing Unit Chassis.

The DR-200-4 is compatible with Chassis 1 and Chassis 2 Condensing Units. The DR-200-4 can support one of either Chassis 1 or Chassis 2 per level.

The DR-600-4 is compatible with Chassis 1, Chassis 2 and Chassis 3 Condensing Units. The DR-600-4 can support up to two Chassis 1 units per level or one Chassis 2/Chassis 3 unit per level.

Each can be surface mounted with standard 3/8" hardware, (*not included*). The units will come disassembled.



Freestanding Shelving



DR-600 & DR-200

REFRIGERATION EQUIPMENT

Bally offers a complete range of DOE/AWEF Compliant refrigeration equipment, from fractional scrolls condensing units to large semi hermetic 22HP single systems. Shown are the specifications for our standard line of refrigeration systems. Also available are drop-in package systems with flush evaporators.

Our evaporators include:

- Standard low profile (BLP) coils,
- Low velocity (BLV) coils,
- Center mount two-way (BLT and BTM) coils.
- Medium Profile Coils (*consult factory*)
- Extended Medium Profile Coils (*consult factory*)
- H16H Coils (*consult factory*)

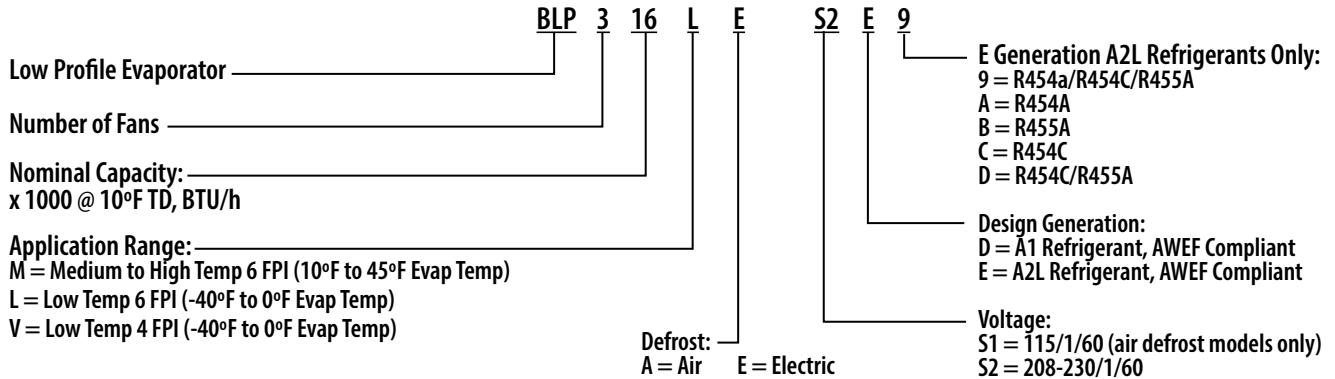
Our Bally condensing unit models include:

- BEZ series of scroll condensing units, available in 1 HP thru 15 HP
- BQZ "Quiet" series of hermetic or scroll condensing units, available in 1 HP thru 6 HP
- BES series of semi-hermetic condensing units, from 6 HP thru 22 HP

All models available in R454A/R448A refrigerants. Our BQZ "Quiet" condensing units are supplied scroll compressors.

EVAPORATORS

Nomenclature



BLP-Line, Low Profile Evaporators

The BLP low profile evaporator is designed for -30°F and above room temperatures. Designed for maximum performance and dependability, storage space is optimized by the compact, slim profile which provides uniform air distribution through the coil for optimal heat transfer performance. Available in twelve sizes ranging in capacity from 3,800 to 39,000 BTUH.

SmartVap+: Intuitive Evaporator Control Technology

SmartVap+ offers:

- Quick simple installation
- Improved evaporator performance by minimizing excessive frost on the evaporator
- Eliminates ice build up on surfaces and product
- Energy savings through evaporator fan management
- Energy savings with reduction in the number of defrost cycles
- Defrost heater management
- Improved system diagnostics and service through advanced alarm notification text/email
- Remote monitoring & system control available
- Includes electronic expansion valve
- User friendly interface
- Precise temperature control for prolonged product shelf life
- Improved product integrity with less potential for spoilage
- Downloadable data provides system history for prior 30 days
- Remotely view and change system parameters and alarm settings
- Manually control system
- Easily troubleshoot issues

SMARTVAP +



A2L offers:

- All A2L units will include a Leak detection system:
 - ▶ Leak sensors are pre-installed and mounted in the evaporator
 - ▶ Mitigation strategy incorporated into our SMARTVAP+ controller

SMARTSPEED™

FAN MOTOR TECHNOLOGY



Standard Features:

- EC motors with patented SmartSpeed® Technology.
- Compatible with Low GWP Refrigerants (A1 & A2L)
- High efficiency and high strength fan guard
- Front access
- Internally enhanced tubing
- Convenient mounting brackets
- Ample electrical and header compartments
- Liquid line solenoid valve wire harness factory installed
- Schrader valve on suction header
- Positive slope, hinged drain pan
- Central drain connections (approximate)
- Universal drain fitting
- Large 3/4" ID (3/4" MPT) drain hole
- Factory installed distributor nozzle
- All A2L units will include a Leak detection system with shipped loose SSOV (Safety Shut Off Valve) and CSOV (Check Shut Off Valve)

Air Defrost Medium Temperature - 6FPI (with EC Motors)

| Model BLP | BTUH +25°F ET @ 10°F TD R454A | CFM | EC Motor Data 1/15 HP each | | | | | | | Dimensions inches | | | Connections | | Approx. Ship Wt. lbs. | AWEF Rating |
|-----------|-------------------------------|------|----------------------------|----------|-----|--------------|-----|-------|------------------|-------------------|-------|-------|-------------|--------------|-----------------------|-------------|
| | | | Qty | 115/1/60 | | 208-230/1/60 | | Watts | Max. Fuse (Amps) | Ht. | Width | Depth | Liquid (OD) | Suction (OD) | | |
| | | | | FLA | MCA | FLA | MCA | | | | | | | | | |
| 105MA | 4310 | 750 | 1 | 1.0 | 1.3 | 0.6 | 0.8 | 60 | 15 | 17¼ | 30¼ | 15 | 5/8 | 1/2 | 45 | 9 |
| 107MA | 5910 | 705 | 1 | 1.0 | 1.3 | 0.6 | 0.8 | 60 | 15 | 17¼ | 30¼ | 15 | 5/8 | 1/2 | 47 | 9 |
| 108MA | 7000 | 680 | 1 | 1.0 | 1.3 | 0.6 | 0.8 | 60 | 15 | 17¼ | 30¼ | 15 | 5/8 | 1/2 | 49 | 9 |
| 210MA | 8700 | 1500 | 2 | 2.0 | 2.3 | 1.2 | 1.4 | 120 | 15 | 17¼ | 46¼ | 15 | 7/8 | 1/2 | 70 | 9 |
| 212MA | 11400 | 1410 | 2 | 2.0 | 2.3 | 1.2 | 1.4 | 120 | 15 | 17¼ | 46¼ | 15 | 7/8 | 1/2 | 74 | 9 |
| 215MA | 13700 | 1360 | 2 | 2.0 | 2.3 | 1.2 | 1.4 | 120 | 15 | 17¼ | 46¼ | 15 | 7/8 | 1/2 | 78 | 9 |
| 318MA | 16900 | 2115 | 3 | 3.0 | 3.3 | 1.8 | 2.0 | 180 | 15 | 17¼ | 62¼ | 15 | 7/8 | 1/2 | 101 | 9 |
| 322MA | 20300 | 2040 | 3 | 3.0 | 3.3 | 1.8 | 2.0 | 180 | 15 | 17¼ | 62¼ | 15 | 7/8 | 1/2 | 107 | 9 |
| 424MA | 22400 | 2820 | 4 | 4.0 | 4.3 | 2.4 | 2.6 | 240 | 15 | 17¼ | 78¼ | 15 | 1 1/8 | 1/2 | 117 | 9 |
| 429MA | 27000 | 2720 | 4 | 4.0 | 4.3 | 2.4 | 2.6 | 240 | 15 | 17¼ | 78¼ | 15 | 1 1/8 | 1/2 | 135 | 9 |
| 537MA | 33700 | 3400 | 5 | 5.0 | 5.3 | 3.0 | 3.2 | 300 | 15 | 17¼ | 94¼ | 15 | 1 3/8 | 1/2 | 163 | 9 |
| 644MA | 40400 | 4080 | 6 | 6.0 | 6.3 | 3.6 | 3.8 | 360 | 15 | 17¼ | 110¼ | 15 | 1 3/8 | 7/8 | 192 | 9 |

Electric Defrost Medium Temperature - 6FPI (with EC Motors)

| Model BLP | BTUH +25°F ET @ 10°F TD R454A | CFM | EC Motor Data 1/15 HP each | | | | | | | Defrost Heater Data | | | Dimensions inches | | | Connections | | Approx. Ship Wt. lbs. | AWEF Rating |
|-----------|-------------------------------|------|----------------------------|--------------|-----|------------------|-------------|--------------|------|---------------------|-----|-------|-------------------|-------------|--------------|-------------|---|-----------------------|-------------|
| | | | Qty | 208-230/1/60 | | Max. Fuse (Amps) | Total Watts | 208-230/1/60 | | Max. Fuse (Amps) | Ht. | Width | Depth | Liquid (OD) | Suction (OD) | | | | |
| | | | | FLA | MCA | | | FLA | MCA | | | | | | | | | | |
| 105ME | 4310 | 750 | 1 | 0.6 | 0.8 | 15 | 1060 | 4.6 | 5.8 | 15 | 17¼ | 30¼ | 15 | 5/8 | 1/2 | 49 | 9 | | |
| 107ME | 5910 | 705 | 1 | 0.6 | 0.8 | 15 | 1060 | 4.6 | 5.8 | 15 | 17¼ | 30¼ | 15 | 5/8 | 1/2 | 51 | 9 | | |
| 108ME | 7000 | 680 | 1 | 0.6 | 0.8 | 15 | 1060 | 4.6 | 5.8 | 15 | 17¼ | 30¼ | 15 | 5/8 | 1/2 | 53 | 9 | | |
| 210ME | 8700 | 1500 | 2 | 1.2 | 1.4 | 15 | 1890 | 8.2 | 10.3 | 15 | 17¼ | 46¼ | 15 | 7/8 | 1/2 | 76 | 9 | | |
| 212ME | 11400 | 1410 | 2 | 1.2 | 1.4 | 15 | 1890 | 8.2 | 10.3 | 15 | 17¼ | 46¼ | 15 | 7/8 | 1/2 | 80 | 9 | | |
| 215ME | 13700 | 1360 | 2 | 1.2 | 1.4 | 15 | 1890 | 8.2 | 10.3 | 15 | 17¼ | 46¼ | 15 | 7/8 | 1/2 | 84 | 9 | | |
| 318ME | 16900 | 2115 | 3 | 1.8 | 2.0 | 15 | 2730 | 11.9 | 14.8 | 15 | 17¼ | 62¼ | 15 | 7/8 | 1/2 | 109 | 9 | | |
| 322ME | 20300 | 2040 | 3 | 1.8 | 2.0 | 15 | 2730 | 11.9 | 14.8 | 15 | 17¼ | 62¼ | 15 | 7/8 | 1/2 | 115 | 9 | | |
| 424ME | 22400 | 2820 | 4 | 2.4 | 2.6 | 15 | 3560 | 15.5 | 19.3 | 20 | 17¼ | 78¼ | 15 | 1 1/8 | 1/2 | 127 | 9 | | |
| 429ME | 27000 | 2720 | 4 | 2.4 | 2.6 | 15 | 3560 | 15.5 | 19.3 | 20 | 17¼ | 78¼ | 15 | 1 1/8 | 1/2 | 145 | 9 | | |
| 537ME | 33700 | 3400 | 5 | 3.0 | 3.2 | 15 | 4400 | 19.1 | 23.9 | 25 | 17¼ | 94¼ | 15 | 1 3/8 | 1/2 | 176 | 9 | | |
| 644ME | 40400 | 4080 | 6 | 3.6 | 3.8 | 15 | 5230 | 22.7 | 28.4 | 30 | 17¼ | 110¼ | 15 | 1 3/8 | 7/8 | 207 | 9 | | |

EVAPORATORS

Electric Defrost Low Temperature - 6FPI (with EC Motors)

| Model BLP | BTUH -20°F ET @ 10°F TD R454A | CFM | EC Motor Data 1/15 HP each | | | | | Defrost Heater Data | | | Dimensions inches | | | Connections | | Approx. Ship Wt. lbs. | AWEF Rating |
|-----------|--|------|-------------------------------|------------------|------|------------------------|----------------|------------------------|------|------------------------|-------------------|-------|-------|----------------|-----------------|-----------------------------|----------------|
| | | | Qty | 208- 231/1/60 | | Max. Fuse (Amps) | Total Watts | 208- 230/1/60 | | Max. Fuse (Amps) | Ht. | Width | Depth | Liquid (OD) | Suction (OD) | | |
| | | | | FLA | MCA | | | FLA | MCA | | | | | | | | |
| 104LE | 3740 | 750 | 1 | 0.6 | 0.75 | 15 | 1060 | 4.6 | 5.8 | 15 | 17¼ | 30¼ | 15 | 5/8 | 1/2 | 49 | 3.96 |
| 105LE | 4900 | 705 | 1 | 0.6 | 0.75 | 15 | 1060 | 4.6 | 5.8 | 15 | 17¼ | 30¼ | 15 | 5/8 | 1/2 | 51 | 3.97 |
| 106LE | 6330 | 680 | 1 | 0.6 | 0.75 | 15 | 1060 | 4.6 | 5.8 | 15 | 17¼ | 30¼ | 15 | 5/8 | 1/2 | 53 | 3.99 |
| 207LE | 7160 | 1500 | 1 | 0.6 | 0.75 | 15 | 1060 | 4.6 | 5.8 | 15 | 17¼ | 30¼ | 15 | 5/8 | 1/2 | 76 | 3.99 |
| 209LE | 9390 | 1410 | 2 | 1.2 | 1.4 | 15 | 1890 | 8.2 | 10.3 | 15 | 17¼ | 46¼ | 15 | 7/8 | 1/2 | 76 | 4.02 |
| 211LE | 11300 | 1360 | 2 | 1.2 | 1.4 | 15 | 1890 | 8.2 | 10.3 | 15 | 17¼ | 46¼ | 15 | 7/8 | 1/2 | 80 | 4.04 |
| 314LE | 13900 | 2115 | 2 | 1.2 | 1.4 | 15 | 1890 | 8.2 | 10.3 | 15 | 17¼ | 46¼ | 15 | 7/8 | 1/2 | 84 | 4.07 |
| 316LE | 16200 | 2040 | 3 | 1.8 | 2.0 | 15 | 2730 | 11.9 | 14.8 | 15 | 17¼ | 62¼ | 15 | 7/8 | 1/2 | 109 | 4.10 |
| 418LE | 18400 | 2820 | 4 | 2.4 | 2.6 | 15 | 3560 | 15.5 | 19.3 | 20 | 17¼ | 62¼ | 15 | 7/8 | 1/2 | 127 | 4.13 |
| 421LE | 21200 | 2720 | 4 | 2.4 | 2.6 | 15 | 3560 | 15.5 | 19.3 | 20 | 17¼ | 78¼ | 15 | 1 1/8 | 1/2 | 127 | 4.15 |
| 526LE | 26100 | 3400 | 5 | 2.4 | 2.6 | 15 | 3560 | 19.1 | 23.9 | 25 | 17¼ | 78¼ | 15 | 1 1/8 | 5/8 | 176 | 4.15 |
| 631LE | 31100 | 4080 | 6 | 3.6 | 3.8 | 15 | 5230 | 22.7 | 28.4 | 30 | 17¼ | 110¼ | 15 | 1 3/8 | 5/8 | 207 | 4.15 |

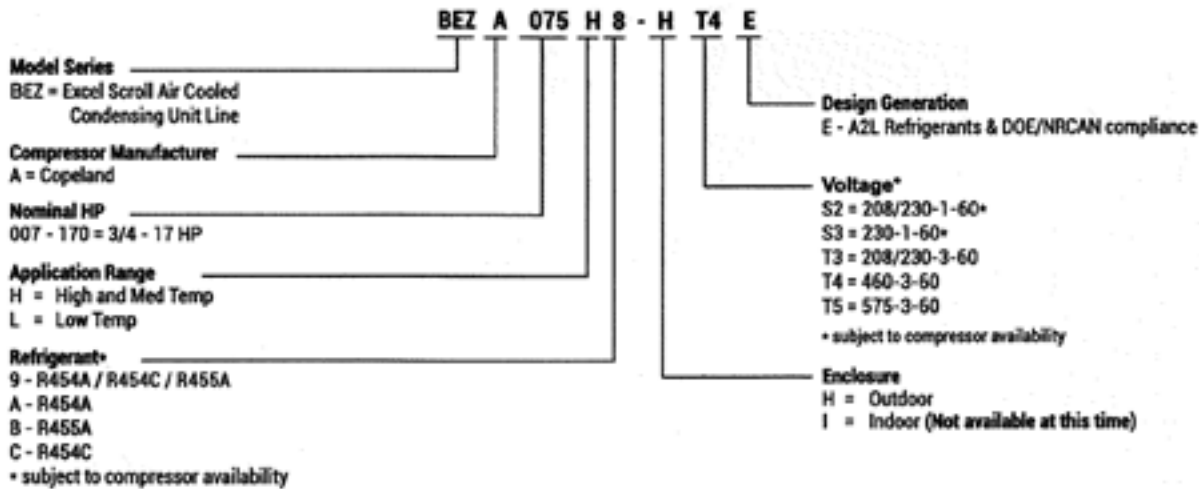
Electric Defrost Low Temperature - 4FPI (with EC Motors)

| Model BLP | BTUH -20°F ET @ 10°F TD R454A | CFM | EC Motor Data 1/15 HP each | | | | | Defrost Heater Data | | | Dimensions inches | | | Connections | | Approx. Ship Wt. lbs. | AWEF Rating |
|-----------|--|------|-------------------------------|------------------|-----|------------------------|----------------|------------------------|------|------------------------|-------------------|-------|-------|----------------|-----------------|-----------------------------|----------------|
| | | | Qty | 208- 231/1/60 | | Max. Fuse (Amps) | Total Watts | 208- 230/1/60 | | Max. Fuse (Amps) | Ht. | Width | Depth | Liquid (OD) | Suction (OD) | | |
| | | | | FLA | MCA | | | FLA | MCA | | | | | | | | |
| 103VE | 3660 | 750 | 1 | 0.6 | 0.8 | 15 | 1060 | 4.6 | 5.8 | 15 | 17¼ | 30¼ | 15 | 5/8 | 1/2 | 49 | 3.96 |
| 104VE | 4350 | 705 | 1 | 0.6 | 0.8 | 15 | 1060 | 4.6 | 5.8 | 15 | 17¼ | 30¼ | 15 | 5/8 | 1/2 | 51 | 3.97 |
| 106VE | 5550 | 680 | 1 | 0.6 | 0.8 | 15 | 1060 | 4.6 | 5.8 | 15 | 17¼ | 30¼ | 15 | 5/8 | 1/2 | 53 | 3.99 |
| 207VE | 6670 | 1500 | 2 | 1.2 | 1.4 | 15 | 1060 | 8.2 | 10.3 | 15 | 17¼ | 30¼ | 15 | 5/8 | 1/2 | 76 | 3.99 |
| 208VE | 8100 | 1410 | 2 | 1.2 | 1.4 | 15 | 1890 | 8.2 | 10.3 | 15 | 17¼ | 46¼ | 15 | 7/8 | 1/2 | 76 | 4.02 |
| 211VE | 10600 | 1360 | 2 | 1.2 | 1.4 | 15 | 1890 | 8.2 | 10.3 | 15 | 17¼ | 46¼ | 15 | 7/8 | 1/2 | 80 | 4.04 |
| 313VE | 12600 | 2115 | 3 | 1.8 | 2.0 | 15 | 1890 | 11.9 | 14.8 | 15 | 17¼ | 46¼ | 15 | 7/8 | 1/2 | 84 | 4.07 |
| 316VE | 15600 | 2040 | 3 | 1.8 | 2.0 | 15 | 2730 | 11.9 | 14.8 | 15 | 17¼ | 62¼ | 15 | 7/8 | 1/2 | 109 | 4.10 |
| 418VE | 17700 | 2820 | 4 | 2.4 | 2.6 | 15 | 3560 | 15.5 | 19.3 | 20 | 17¼ | 62¼ | 15 | 7/8 | 1/2 | 127 | 4.13 |
| 421VE | 21000 | 2720 | 4 | 2.4 | 2.6 | 15 | 3560 | 15.5 | 19.3 | 20 | 17¼ | 78¼ | 15 | 1 1/8 | 1/2 | 127 | 4.15 |
| 524VE | 23900 | 3400 | 5 | 3.0 | 3.2 | 15 | 3560 | 19.1 | 23.9 | 25 | 17¼ | 78¼ | 15 | 1 1/8 | 5/8 | 176 | 4.15 |
| 627VE | 26800 | 4080 | 6 | 3.6 | 3.8 | 15 | 5230 | 22.7 | 28.4 | 30 | 17¼ | 110¼ | 15 | 1 3/8 | 5/8 | 207 | 4.15 |

CONDENSING UNITS

NOMENCLATURE

BEZ - SCROLL CONDENSING UNITS



STANDARD FEATURES

Outdoor Unit

- Weatherproof electrical control box with compressor contactor and fused control circuit
- Copeland scroll compressor
- High efficiency enhanced tube and fin condenser design
- SmartSpeed EC Fan Motor Technology standard on models using chassis 1
- Energy efficient PSC condenser fan motor on models using chassis 2 thru 6
- Receiver with fusible plug and liquid shut off valve
- Suction service valve
- Pre-formed copper tubing
- Liquid injection (low temp. models)
- Unit leak tested and shipped with helium holding charge
- Fixed high pressure switch and adjustable low pressure control
- Receiver inlet valve on 2-fan units models only
- Discharge thermostat on applicable models only
- Painted cabinet
- Time delay relay for compressor
- Painted weather-resistant housing with removable hood
- Flooded head pressure control (adjustable)
- Crankcase heater
- Fan cycling control with flex hose (2 fan units)




AVAILABLE OPTIONS

- Suction accumulator with and without boil-out coil
- Discharge line check valve
- Oil separator with and without oil return filter and solenoid valve
- Receiver inlet ball valve
- Heated and Insulated receiver
- Over-sized receiver
- Sealed liquid line filter drier & sight-glass
- Ball valve - liquid line (shipped loose)
- Insulated suction lines
- Leg kits
- Hail and wind guards
- Discharge air hood
- Sub cooling circuit on 5 - 17 HP models
- Liquid line solenoid valve (with standard 230 volt coil) shipped loose
- Variable speed EC motors as head pressure control (see Bulletin B40-HPC-AG or <https://docs.b-rp.ca/1101112.pdf> for details)
- QuickVac Evacuation and Refrigerant Recovery Valves
- Dual pressure control with flex hoses
- Compressor circuit breaker
- Current sensing relay - for use with oil safety control (where applicable)
- Defrost heater contactor c/w fuse block
- Evaporator fan contactor c/w fuse block
- Disconnect switch
- Disconnect fusing
- Pump down toggle switch
- Lock out control circuit relay
- Mechanical time clock
- Electronic voltage / Phase monitor
- SmartSpeed Fan Motor Technology on models using chassis 2-6
- Limitrol+ Floating Head Pressure Control System (see Bulletin B40-LIMITROL-AG or docs.b-rp.ca/1101115.pdf for details)
- Safety shut off valves factory installed.

CONDENSING UNITS

PRE-SELECTED FACTORY MOUNTED OPTION PACKAGES

BEZ - SCROLL CONDENSING UNITS

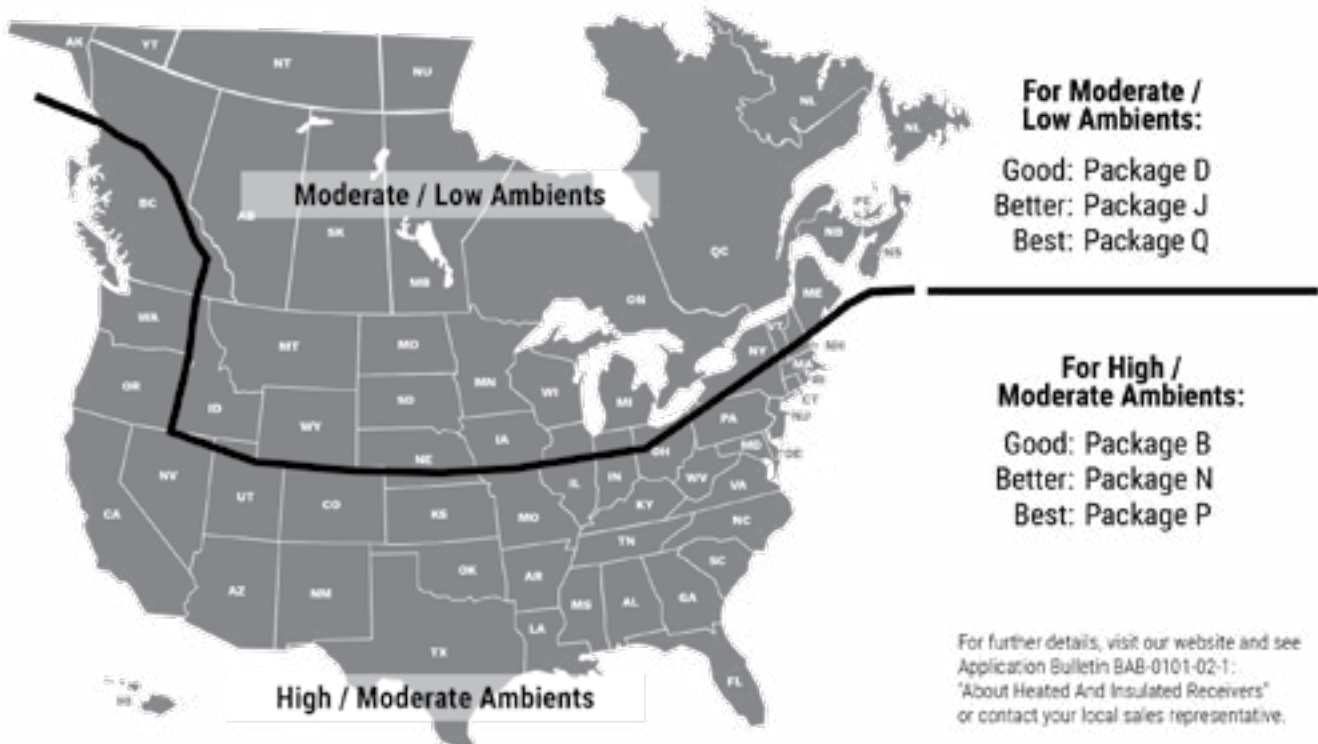
| | For High / Moderate Ambients | For Moderate / Low Ambients |
|--|---|--|
| GOOD  | Package B: + Liquid Line Filter Drier ¹ & Sight Glass | Package D: + Liquid Line Filter Drier ¹ & Sight Glass + Heated and Insulated Receiver |
| BETTER  | Package N: + Liquid Line Filter Drier ¹ & Sight Glass + Suction Accumulator w/o Heat Exchanger | Package J: + Liquid Line Filter Drier ¹ & Sight Glass + Suction Accumulator w/o Heat Exchanger + Heated and Insulated Receiver |
| BEST  | Package P: + Liquid Line Filter Drier ¹ & Sight Glass + Suction Accumulator w/o Heat Exchanger + Suction Filter ² + Non-Fused Disconnect | Package Q: + Liquid Line Filter Drier ¹ & Sight Glass + Suction Accumulator w/o Heat Exchanger + Suction Filter ² + Non-Fused Disconnect + Heated and Insulated Receiver |

¹ Liquid Line Filter Drier: Sealed on ALL One Fan Model Units, Replaceable on ALL Two Fan Model Units.

² Suction Filter: Sealed on ALL One Fan Model Units, Replaceable on ALL Two Fan Model Units.

For information on Evaporator Defrost Kits and Fuse Packages, visit www.b-rp.ca/dfk

RECOMMENDATIONS FOR SELECTING FACTORY MOUNTED OPTION PACKAGES



CONDENSING UNITS

BEZ-Line, Outdoor Air-Cooled Scroll Condensing Units

Capacity: ¾ HP to 17 HP

Applications: high, medium, and low temperatures
 BEZ units are available with Copeland scroll compressors and come complete with many standard features. Five factory-installed option packages have been preselected for your convenience, or create your own package with the BEZ unit.



R448A **R454A (A2L)**

208-230/1/60, 208-230/3/60, 460/3/60,
 200-220/1/50, 200-220/3/50 and 380/3/50

Copeland **R454A** **R448A** Medium & High Temperature

| Model BEZ | Compr. Model | BTU @ 95°F Amb. | | Minimum Circuit Ampacity | | | Dimensions inches | | | Conn. | | Approx. Ship Weight lbs. | AWEF Rating |
|-----------|--------------|-----------------|--------------|--------------------------|----------|--------|-------------------|-------|------|-------|-----|--------------------------|-------------|
| | | 25°F SST | 208-230/1/60 | 208 230/3/60 | 460/3/60 | Height | Width | Depth | Liq. | Suct. | | | |
| 007-H9 | ZB06KAE | 7220 | 8.5 | 7.0 | - | 30⅜ | 24⅞ | 34⅜ | ⅜ | ⅝ | 183 | 7.6 | |
| 008-H9 | ZB07KAE | 8830 | 8.9 | 7.5 | - | 30⅜ | 24⅞ | 34⅜ | ⅜ | ⅝ | 188 | 7.6 | |
| 009-H9 | ZB08KAE | 9970 | 11.0 | 7.6 | - | 30⅜ | 24⅞ | 34⅜ | ⅜ | ⅝ | 188 | 7.6 | |
| 010-H9 | ZS09KAE | 11600 | 13.6 | 11.1 | 5.4 | 30⅜ | 36⅜ | 34⅜ | ⅜ | ⅝ | 285 | 7.6 | |
| 011-H9 | ZS09KAE | 13300 | 16.9 | 14.1 | 6.0 | 30⅜ | 36⅜ | 34⅜ | ⅜ | ⅝ | 285 | 7.6 | |
| 015-H9 | ZS13KAE | 15700 | 16.1 | 13.2 | 6.6 | 30⅜ | 36⅜ | 34⅜ | ⅜ | ⅞ | 285 | 7.6 | |
| 020-H9 | ZS15KAE | 18400 | 20.7 | 14.4 | 7.4 | 30⅜ | 36⅜ | 34⅜ | ⅜ | ⅞ | 300 | 7.6 | |
| 025-H9 | ZS19KAE | 21700 | 24.6 | 19.2 | 9.2 | 32⅞ | 43⅞ | 43 | ½ | ⅞ | 405 | 7.6 | |
| 030-H9 | ZS21KAE | 27700 | 31.1 | 21.1 | 9.7 | 32⅞ | 43⅞ | 43 | ½ | ⅞ | 410 | 7.6 | |
| 035-H9 | ZS26KAE | 30200 | 31.6 | 21.5 | 9.7 | 32⅞ | 43⅞ | 43 | ½ | ⅞ | 415 | 7.6 | |
| 040-H9 | ZS20KAE | 36000 | 34.7 | 21.7 | 12.9 | 32⅞ | 43⅞ | 43 | ½ | 1⅞ | 420 | 7.6 | |
| 050-H9 | ZB38KCE | 39200 | 41.0 | 29.7 | 13.1 | 32⅞ | 43⅞ | 43 | ½ | 1⅞ | 425 | 7.6 | |

Offering to 17 HP; Above 5 HP consult factory.

Copeland **R448A** **R454A (A2L)** Low Temperature

| Model BEZ | Compr. Model | BTU @ 95°F Amb. | | Minimum Circuit Ampacity | | | Dimensions inches | | | Conn. | | Approx. Ship Weight lbs. | AWEF Rating |
|-----------|--------------|-----------------|-----------|--------------------------|--------------|----------|-------------------|-------|-------|-------|-------|--------------------------|-------------|
| | | -10°F SST | -20°F SST | 208-230/1/60 | 208 230/3/60 | 460/3/60 | Height | Width | Depth | Liq. | Suct. | | |
| 010-L9 | ZF04KAE | 5150 | 4110 | 10.3 | 9.3 | - | 19⅜ | 24⅞ | 34⅜ | ⅝ | ⅝ | 205 | 2.93 |
| 015-L9 | ZF05KAE | 6140 | 4920 | 11.9 | 10.4 | - | 19⅜ | 24⅞ | 34⅜ | ⅜ | ⅝ | 210 | 2.97 |
| 020-L9 | ZF06K4E | 8730 | 7130 | 18.4 | 11.8 | - | 19⅜ | 24⅞ | 34⅜ | ⅜ | ⅞ | 315 | 3.09 |
| 025-L9 | ZF08K4E | 11100 | 8950 | 21.6 | 13.1 | 6.9 | 19⅞ | 24⅞ | 34⅜ | ⅜ | ⅞ | 335 | 3.15 |
| 030-L9 | ZF09K4E | 12300 | 9900 | 20.4 | 13.5 | 6.9 | 19⅞ | 24⅞ | 34⅜ | ⅜ | ⅞ | 425 | 3.15 |
| 035-L9 | ZF11K4E | 14700 | 11900 | 27.0 | 17.0 | 8.6 | 19⅞ | 24⅞ | 34⅜ | ½ | ⅞ | 430 | 3.15 |
| 045-L9 | ZF13K4E | 18800 | 15000 | 33.4 | 19.4 | 10.0 | 30⅜ | 43⅞ | 43 | ½ | 1⅞ | 435 | 3.15 |
| 055-L9 | ZF15K4E | 22700 | 18200 | 37.0 | 25.7 | 12.2 | 30⅜ | 43⅞ | 43 | ½ | 1⅞ | 440 | 3.15 |
| 060-L9 | ZF18K4E | 26200 | 21100 | - | 19.4 | 12.4 | 30⅜ | 43⅞ | 43 | ½ | 1⅞ | 485 | 3.15 |
| 075-L9 | ZF24K4E | 33700 | 27200 | - | 35.5 | 16.0 | 41⅞ | 52⅞ | 43 | ⅝ | 1⅜ | 495 | 3.15 |

SST= Saturated Suction Temperature

*Dimensions and weights shown are for outdoor units. Indoor units may be smaller/lighter. Consult Product Data and Specifications for details

*Capacities shown are R454A.

CONDENSING UNITS

BQZ "Quiet" Line of Condensing Units, Outdoor Air-Cooled Condensing Units

Capacity: .7 HP to 6 HP

Applications: high/medium and low temperatures

High efficiency scroll compressors provide sound level reduction of 25% over standard condensing units, making BQ units ideally suited for areas where noise abatement is critical. This line also features standard variable speed EC motors, which create energy savings through speed reduction; and a no-flooding valve which reduces refrigerant charge.

There are ten factory-installed option packages that have been preselected for your convenience, or you may create your own package.



208-230/1/60, 208-230/3/60, 460/3/60

Copeland **R454A** **R448A** High/Medium Temperature

| Model BQZA | Compr. Model | BTU @ 95°F Amb. | Power Supply | Compressor | | EC Condenser Fan | | | Conn. | | Unit | | Approx. Ship Weight lbs. | AWEF Rating |
|------------|----------------|-----------------|--------------|------------|------|------------------|-------|-----|-------|-------|------|-----|--------------------------|-------------|
| | | 25°F SST | | RLA | LRA | Qty | Watts | FLA | Liq. | Suct. | MCA | MOP | | |
| *007H9-H | S2 ZB06KAE-PFV | 7900 | 208-230/1/60 | 6.0 | 36 | 1 | 165 | 1.7 | 3/8 | 5/8 | 9.2 | 15 | 300 | 7.6 |
| | T3 ZB06KAE-TF5 | | 208-230/3/60 | 4.8 | 37.8 | | | 1.7 | | | 7.7 | 15 | | |
| *008H9-H | S2 ZB07KAE-PFV | 9200 | 208-230/1/60 | 6.3 | 48 | 1 | 165 | 1.7 | 3/8 | 5/8 | 9.6 | 15 | 300 | 7.6 |
| | T3 ZB07KAE-TF5 | | 208-230/3/60 | 5.2 | 37.8 | | | 1.7 | | | 8.2 | 15 | | |
| *009H9-H | S2 ZB08KAE-PFV | 10700 | 208-230/1/60 | 8.0 | 47.2 | 1 | 165 | 1.7 | 3/8 | 5/8 | 11.7 | 15 | 300 | 7.6 |
| | T3 ZB08KAE-TF5 | | 208-230/3/60 | 5.3 | 37.8 | | | 1.7 | | | 8.3 | 15 | | |
| 010H9-H | S2 ZS09KAE-PFV | 11200 | 208-230/1/60 | 10.0 | 40.3 | 1 | 165 | 1.7 | 3/8 | 5/8 | 14.2 | 20 | 300 | 7.6 |
| | T3 ZS09KAE-TF5 | | 208-230/3/60 | 8.0 | 55.4 | | | 1.7 | | | 11.7 | 15 | | |
| | T4 ZS09KAE-TFD | | 460/3/60 | 3.8 | 28 | | | 0.9 | | | 5.7 | 15 | | |
| 011H9-H | S2 ZS11KAE-PFV | 13300 | 208-230/1/60 | 12.6 | 55 | 1 | 165 | 1.7 | 3/8 | 5/8 | 17.5 | 30 | 305 | 7.6 |
| | T3 ZS11KAE-TF5 | | 208-230/3/60 | 10.4 | 58 | | | 1.7 | | | 14.7 | 25 | | |
| | T4 ZS11KAE-TFD | | 460/3/60 | 4.3 | 28 | | | 0.9 | | | 6.3 | 15 | | |
| 015H9-H | S2 ZS13KAE-PFV | 15100 | 208-230/1/60 | 12.0 | 56 | 1 | 165 | 1.7 | 3/8 | 7/8 | 16.7 | 25 | 305 | 7.6 |
| | T3 ZS13KAE-TF5 | | 208-230/3/60 | 9.7 | 58 | | | 1.7 | | | 13.8 | 20 | | |
| | T4 ZS13KAE-TFD | | 460/3/60 | 4.8 | 29 | | | 0.9 | | | 6.9 | 15 | | |
| 020H9-H | S2 ZB15KCE-PFV | 17300 | 208-230/1/60 | 15.7 | 61 | 1 | 165 | 1.7 | 3/8 | 7/8 | 21.3 | 35 | 325 | 7.6 |
| | T3 ZB15KCE-TF5 | | 208-230/3/60 | 8.9 | 55 | | | 1.7 | | | 12.8 | 20 | | |
| | T4 ZB15KCE-TFD | | 460/3/60 | 5.0 | 27 | | | 0.9 | | | 7.2 | 15 | | |
| 025H9-H | S2 ZB19KCE-PFV | 21000 | 208-230/1/60 | 17.9 | 73 | 1 | 165 | 1.7 | 1/2 | 7/8 | 24.1 | 40 | 325 | 7.6 |
| | T3 ZB19KCE-TF5 | | 208-230/3/60 | 10.0 | 63 | | | 1.7 | | | 14.2 | 20 | | |
| | T4 ZB19KCE-TFD | | 460/3/60 | 5.0 | 31 | | | 0.9 | | | 7.2 | 15 | | |
| 30H9-H | S2 ZB21KCE-PFV | 25100 | 208-230/1/60 | 20.7 | 95 | 1 | 165 | 1.7 | 1/2 | 7/8 | 27.6 | 45 | 325 | 7.6 |
| | T3 ZB21KCE-TF5 | | 208-230/3/60 | 12.1 | 77 | | | 1.7 | | | 16.8 | 25 | | |
| | T4 ZB21KCE-TFD | | 460/3/60 | 7.4 | 39 | | | 0.9 | | | 10.2 | 15 | | |

CONDENSING UNITS

BQZ "Quiet Line of Outdoor Air-Cooled Condensing Units

Copeland **R454A** **R448A** Low Temperature

| Model BQZA | Compr. Model | BTU @ 95°F Amb. | | Power Supply | Compressor | | Optional EC Condenser Fan | | | Conn. | | Unit | | Approx. Ship Weight lbs. | AWEF Rating | |
|---------------|-----------------|--------------------|--------------|-----------------|--------------|------|------------------------------|-------|-----|-------|-------|----------|------|-----------------------------------|----------------|------|
| | | -10°F SST | -20°F SST | | RLA | LRA | Qty | Watts | FLA | Liq. | Suct. | MCA | MOP | | | |
| 010L9-H | S2 | ZF04KAE-PVF | 5290 | 4080 | 208-230/1/60 | 7.4 | 40.3 | 1 | 165 | 1.7 | 3/8 | 5/8 | 11.0 | 15 | 320 | 3.15 |
| | T3 | ZF04KAE-TF5 | | | 208-230/3/60 | 6.6 | 55.4 | | | 1.7 | | | 10.0 | 15 | | |
| 015L9-H | S2 | ZF05KAE-PVF | 6220 | 4810 | 208-230/1/60 | 8.7 | 55 | 1 | 165 | 1.7 | 3/8 | 5/8 | 12.6 | 20 | 320 | 3.15 |
| | T3 | ZF05KAE-TF5 | | | 208-230/3/60 | 7.5 | 58 | | | 1.7 | | | 11.1 | 15 | | |
| 020L9-H | S2 | ZF06K4E-PVF | 8900 | 7100 | 208-230/1/60 | 13.6 | 61 | 1 | 165 | 1.7 | 3/8 | 7/8 | 18.7 | 30 | 320 | 3.15 |
| | T3 | ZF06K4E-TF5 | | | 208-230/3/60 | 9.3 | 55 | | | 1.7 | | | 13.3 | 20 | | |
| 025L9-H | S2 | ZF08K4E-PVF | 11300 | 9000 | 208-230/1/60 | 16.4 | 73 | 1 | 165 | 1.7 | 3/8 | 7/8 | 22.2 | 35 | 325 | 3.15 |
| | T3 | ZF08K4E-TF5 | | | 208-230/3/60 | 9.7 | 63 | | | 1.7 | | | 13.8 | 20 | | |
| | T4 | ZF08K4E-TFD | | | 460/3/60 | 5.0 | 31 | | | 0.9 | | | 7.2 | 15 | | |
| 030L9-H | S2 | ZF09K4E-PVF | 12500 | 10000 | 208-230/1/60 | 16.4 | 88 | 1 | 165 | 1.7 | 3/8 | 7/8 | 22.2 | 35 | 325 | 3.15 |
| | T3 | ZF09K4E-TF5 | | | 208-230/3/60 | 9.6 | 77 | | | 1.7 | | | 13.7 | 20 | | |
| | T4 | ZF09K4E-TFD | | | 460/3/60 | 5.7 | 39 | | | 0.9 | | | 8.0 | 15 | | |
| 035L9-H | S2 | ZF11K4E-PVF | 15200 | 12200 | 208-230/1/60 | 20.7 | 109 | 1 | 165 | 1.7 | 1/2 | 7/8 | 27.6 | 45 | 325 | 3.15 |
| | T3 | ZF11K4E-TF5 | | | 208-230/3/60 | 12.1 | 88 | | | 1.7 | | | 16.8 | 25 | | |
| | T4 | ZF11K4E-TFD | | | 460/3/60 | 7.1 | 44 | | | 0.9 | | | 9.8 | 15 | | |
| 045L9-H | S2 | ZF13K4E-PVF | 18600 | 14600 | 208-230/1/60 | 26.8 | 129 | 2 | 330 | 3.4 | 1/2 | 1 1/8 | 36.9 | 60 | 490 | 3.15 |
| | T3 | ZF13K4E-TF5 | | | 208-230/3/60 | 15.0 | 99 | | | 3.4 | | | 22.2 | 35 | | |
| | T4 | ZF13K4E-TFD | | | 460/3/60 | 8.2 | 49.5 | | | 1.8 | | | 12.1 | 20 | | |
| 055L9-H | S2 | ZF15K4E-PVF | 22500 | 17700 | 208-230/1/60 | 31.8 | 169 | 2 | 330 | 3.4 | 1/2 | 1 1/8 | 43.2 | 70 | 500 | 3.15 |
| | T3 | ZF15K4E-TF5 | | | 208-230/3/60 | 21.4 | 123 | | | 3.4 | | | 30.2 | 50 | | |
| | T4 | ZF15K4E-TFD | | | 460/3/60 | 9.6 | 62 | | | 1.8 | | | 13.8 | 20 | | |
| 060L9-H | T3 | ZF18K4E-TF5 | 27100 | 21500 | 208-230/3/60 | 23.9 | 156 | 2 | 330 | 3.4 | 1/2 | 1 1/8 | 33.3 | 50 | 510 | 3.15 |
| | T4 | ZF18K4E-TFD | | | 460/3/60 | 9.3 | 70 | | | 1.8 | | | 13.4 | 20 | | |

Dimensional Data

| Model | Approx. Ship Weight lbs. | Dimensions inches | | |
|-------------|--------------------------------|-------------------|--------|--------|
| | | Height | Width | Depth |
| BQZA010H9-H | 300 | 29 1/4 | 48 1/8 | 18 3/4 |
| BQZA011H9-H | 305 | 29 1/4 | 48 1/8 | 18 3/4 |
| BQZA015H9-H | 305 | 29 1/4 | 48 1/8 | 18 3/4 |
| BQZA020H9-H | 325 | 29 1/4 | 48 1/8 | 18 3/4 |
| BQZA025H9-H | 325 | 29 1/4 | 48 1/8 | 18 3/4 |
| BQZA030H9-H | 325 | 29 1/4 | 48 1/8 | 18 3/4 |
| BQZA010L9-H | 320 | 29 1/4 | 48 1/8 | 18 3/4 |
| BQZA015L9-H | 320 | 29 1/4 | 48 1/8 | 18 3/4 |
| BQZA020L9-H | 320 | 29 1/4 | 48 1/8 | 18 3/4 |
| BQZA025L9-H | 325 | 29 1/4 | 48 1/8 | 18 3/4 |
| BQZA030L9-H | 325 | 29 1/4 | 48 1/8 | 18 3/4 |
| BQZA035L9-H | 325 | 29 1/4 | 48 1/8 | 18 3/4 |
| BQZA045L9-H | 490 | 51 7/8 | 48 1/8 | 18 3/4 |
| BQZA055L9-H | 500 | 51 7/8 | 48 1/8 | 18 3/4 |
| BQZA060L9-H | 510 | 51 7/8 | 48 1/8 | 18 3/4 |

CONDENSING UNITS

BC-Line: Cooler/Freezer Combo

Product Data & Specifications

- Medium / Low Temp Combo Air Cooled Scroll Condensing Units
- Indoor / Outdoor
- Medium Temp: 3/4 & 1.0 HP
- Low Temp: 1.5, 2.0 & 2.5 HP

Features

- One unit for both cooler and freezer boxes, saving space, installation time and shipping cost.
- Over sized condenser surface
- Over sized receiver
- Over sized electrical control panel
- Single point electrical hook up
- Fan guard protection is standard
- Crankcase heater and headmaster valves are standard on outdoor models
- Filter dryer sight glass standard

BC-Line



Copeland R454A Medium/Low Temperature

| Model BCZA | HP | Compr. Model | BTU @ 95°F Amb. | | Power Supply | Compressor | | Optional EC Condenser Fan | | | Conn. | | Unit | | Approx. Ship Weight lbs. | AWEF Rating |
|------------|----|--------------|-----------------|-----------|--------------|------------|------|---------------------------|-------|-----|-------|-------|------|-----|--------------------------|-------------|
| | | | 25°F SST | -20°F SST | | RLA | LRA | Qty | Watts | FLA | Liq. | Suct. | MCA | MOP | | |
| 436 | M | ZB07KAE-PVF | 8940 | 4680 | 208-230/1/60 | 5.6 | 48.0 | 1 | | 2.1 | 3/8 | 5/8 | 18 | 25 | 390 | N/A |
| | | ZB07KAE-TF5 | | | 208-230/3/60 | 4.7 | 37.8 | | | | | | 15 | 20 | | |
| | L | ZF05KAE-PFV | | | 208-230/1/60 | 7.8 | 55.0 | | | | | | 18 | 25 | | |
| | | ZF05KAE-TF5 | | | 208-230/3/60 | 6.6 | 58.0 | | | | | | 15 | 20 | | |
| 438 | M | ZB07KAE-PVF | 8940 | 7060 | 208-230/1/60 | 5.6 | 48.0 | 1 | | 2.1 | 3/8 | 5/8 | 24 | 35 | 390 | N/A |
| | | ZB07KAE-TF5 | | | 208-230/3/60 | 4.7 | 37.8 | | | | | | 17 | 20 | | |
| | L | ZF07KAE-PFV | | | 208-230/1/60 | 12.4 | 75.0 | | | | | | 24 | 35 | | |
| | | ZF07KAE-TF5 | | | 208-230/3/60 | 7.8 | 58.0 | | | | | | 17 | 20 | | |
| 430 | M | ZB07KAE-PVF | 8940 | 9010 | 208-230/1/60 | 5.6 | 48.0 | 1 | | 2.1 | 3/8 | 5/8 | 27 | 40 | 390 | N/A |
| | | ZB07KAE-TF5 | | | 208-230/3/60 | 4.7 | 37.8 | | | | | | 18 | 25 | | |
| | L | ZF08K4E-PFV | | | 208-230/1/60 | 14.7 | 73.0 | | | | | | 27 | 40 | | |
| | | ZF08K4E-TF5 | | | 208-230/3/60 | 8.7 | 63.0 | | | | | | 18 | 25 | | |
| 446 | M | ZS09KAE-PVF | 11300 | 4680 | 208-230/1/60 | 9.0 | 40.3 | 1 | | 2.1 | 3/8 | 5/8 | 22 | 30 | 390 | N/A |
| | | ZS09KAE-TF5 | | | 208-230/3/60 | 7.2 | 55.4 | | | | | | 18 | 20 | | |
| | L | ZF05KAE-PFV | | | 208-230/1/60 | 7.8 | 55.0 | | | | | | 22 | 30 | | |
| | | ZF05KAE-TF5 | | | 208-230/3/60 | 6.6 | 58.0 | | | | | | 18 | 20 | | |
| 448 | M | ZS09KAE-PVF | 11300 | 7060 | 208-230/1/60 | 9.0 | 40.3 | 1 | | 2.1 | 3/8 | 5/8 | 27 | 35 | 390 | N/A |
| | | ZS09KAE-TF5 | | | 208-230/3/60 | 7.2 | 55.4 | | | | | | 20 | 25 | | |
| | L | ZF07KAE-PFV | | | 208-230/1/60 | 12.4 | 75.0 | | | | | | 27 | 35 | | |
| | | ZF07KAE-TF5 | | | 208-230/3/60 | 7.8 | 58.0 | | | | | | 20 | 25 | | |
| 440 | M | ZS09KAE-PVF | 11300 | 9010 | 208-230/1/60 | 9.0 | 40.3 | 1 | | 2.1 | 3/8 | 5/8 | 30 | 40 | 390 | N/A |
| | | ZS09KAE-TF5 | | | 208-230/3/60 | 7.2 | 55.4 | | | | | | 21 | 25 | | |
| | L | ZF08KAE-PFV | | | 208-230/1/60 | 14.7 | 73.0 | | | | | | 30 | 40 | | |
| | | ZF08K4E-TF5 | | | 208-230/3/60 | 8.7 | 63.0 | | | | | | 21 | 25 | | |

BF-Line: Air-Cooled Multi-Compressor Condensing Units

Product Data & Specifications

- 3 HP to 24 HP (max. 40HP total).
- High, Medium, and Low Temperatures.
- Designed for outdoor use

Standard Features

- Multiple compressor models on a common chassis.
- Up to 4 fan section cabinet choices: with 3 compressors/fan section max.
- Small Cabinet: ½ to 6 HP: 6 HP/fan section & 24 HP/unit. (Based on 95°F design Ambient).
- Medium Cabinet: ½ to 8 HP: 8HP/fan section & 40 HP/unit. (Based on 95°F design Ambient).
- Suction & discharge vibration eliminators, and spring mounts (Semi-hermetic).
- Enhanced tube and fin, and PSC fan motors.
- Weather-resistant housing with hinged hood, weatherproof electrical panel and fixed head pressure flooding valve.
- Main power fuse block, contactor, fixed high and low pressure control, oil pressure control (where applicable), and fused control circuit.
- Compressor circuit breaker (per compressor).
- Single Point Main electrical panel with non-fused disconnect.
- Liquid line drier and sightglass.

BF-Line



HEATCRAFT

NOMENCLATURE



The PRO3 Top Mount packaged refrigeration system combines evaporator and condensing unit into one unit expediting installation time and reducing refrigerant charge, saving time, money and energy. This packaged system is designed to maximize storage space inside walk-in coolers or freezers and is ideal for small- to medium-sized restaurant and convenience store applications. System is fully-assembled, evacuated, charged, run-tested and wired at the factory. No additional components are required.

AESTHETICS

- Stucco-aluminum finish

PERFORMANCE

- Maximum vertical storage capacity
- Ideal for holding temperature
- Medium-temp air and electric defrost
- Low-temp electric defrost

ENVIRONMENTALLY FRIENDLY

- Pre-charged with R-448A refrigerant to meet CARB & US Climate Alliance requirements

RELIABLE | DURABLE

- Liquid-line filter drier (Medium and large cabinet only)
- Two-year parts warranty

ENERGY EFFICIENCY

- P1 units use single speed EC Evaporator motors
- P2 & P3 units use 2 speed EC Evaporator motors
- P2 & P3 units use single speed EC Condenser motors (except PT0046M uses PSC)
- P2 & P3 units use a Microchannel condenser for Higher efficiency & corrosion protection

EASE OF INSTALLATION

- Pre-charged with refrigerant
- No refrigerant piping required
- Evaporator condensate pan (indoor units only)
- All units get a removable top panel with latches
- All P1 & select P2 & P3 units come with a power cord

CONTROLS

- Microprocessor control

| Model | 80°F Ambient | | 90°F Ambient | | 95°F Ambient | | 100°F Ambient | | 110°F Ambient | |
|---------------|-----------------|-------|--------------|-------|--------------|-------|---------------|-------|---------------|-------|
| | Box Temperature | | | | | | | | | |
| | 35°F | 385°F | 35°F | 385°F | 35°F | 385°F | 35°F | 385°F | 35°F | 385°F |
| PT0024MAN#ESA | | | | | | | | | | |
| PT0028MAN#ESA | | | | | | | | | | |
| PT0032MAN#ESA | | | | | | | | | | |
| PT0046MAN#MSA | | | | | | | | | | |
| PT0046MBN#MSA | | | | | | | | | | |
| PT0068MB*#MSA | | | | | | | | | | |
| PT0078MB*#MSA | | | | | | | | | | |
| PT0097MB*#MSA | | | | | | | | | | |
| PT0097MC*#MSA | | | | | | | | | | |
| PT0115MB*#MSA | | | | | | | | | | |
| PT0115MC*#MSA | | | | | | | | | | |

| Model | 80°F Ambient | | 90°F Ambient | | 95°F Ambient | | 100°F Ambient | | 110°F Ambient | |
|---------------|-----------------|-------|--------------|-------|--------------|-------|---------------|-------|---------------|-------|
| | Box Temperature | | | | | | | | | |
| | 35°F | 385°F | 35°F | 385°F | 35°F | 385°F | 35°F | 385°F | 35°F | 385°F |
| PT0027LB*EMSA | | | | | | | | | | |
| PT0036LB*EMSA | | | | | | | | | | |
| PT0042LB*EMSA | | | | | | | | | | |
| PT0062LB*EMSA | | | | | | | | | | |
| PT0062LC*EMSA | | | | | | | | | | |
| PT0069LB*EMSA | | | | | | | | | | |
| PT0069LC*EMSA | | | | | | | | | | |

THE NEXT GENERATION OF REFRIGERATION EQUIPMENT FOR A2L'S IS HERE!

Bally®

Outdoor Condensing Unit



Safety shut-off valves are shipped loose with the evaporator and field installed outside of the walk-in cooler/freezer.



Evaporator



ADDED COMPONENTS
For Leak Detection and
Mitigation System



Leak sensors are pre-installed and mounted in the evaporator.



Mitigation strategy incorporated into our SMARTVAP+ controller.

WE ARE PREPARED!

Our factory-installed leak detection and mitigation strategy incorporates the safety mechanisms required for A2L refrigerants. This low GWP new generation of equipment will be easy for today's technicians to service.

Our A2L equipment is designed for R454A, R454C & R455A refrigerants.

Bally systems meet the January 1, 2026 requirement that all new commercial refrigeration products use a refrigerant <300 GWP (R-454A) for systems under 200 lbs. and <150 GWP (R-454C & R-455A) for systems above 200 lbs.

Our equipment will be ready to order once final certifications are completed.